

Voith Water Tractor „JADE“

6,800 bhp, 71 mt bollard pull, anchor handling tug



MAIN CHARACTERISTICS

Length	33.5 m
Beam	12.50 m
Draft (60 t fuel)	abt. 5.50 m
(175 t fuel)	abt. 5.87 m
Airdraft	abt. 14.50 m
Speed	up to 13 kn
Classification	GL + 100 A5 E1 Tug
Measurement	518 GT/155 NT
Flag	German
Call Sign	DDUT
Homeport	Bremen
Built	2000
Fuel Capacity	abt. 207 m ³
Deckspace	9 by 9 m

ENGINE ROOM

Two Diesel engines, 2.500 kW at 750 rpm each
One Shaft-Gen, 170 kVA
Two Gen-Sets, 134 kVA resp. 30 kVA

DECK EQUIPMENT

Double drum towing/anchor handling winch
Mooring/linehandling winch
Towing pins/Karm fork
Stern roller (open stern)
Tugger winch
Capstan
Deck Crane

GENERAL

The tug is fully equipped for harbour assistance, deep sea towage, offshore services and salvage operations.
Fitted for open stern anchor handling.

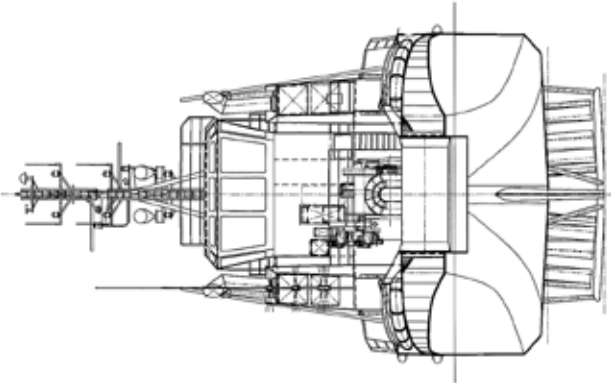


URAG International GmbH
Safety is our Profession

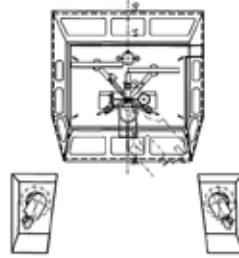
Barkhausenstrasse 6 · D-27568 Bremerhaven
Phone +49 (471) 94819-120 · Fax +49 (471) 94819-100
www.urag.de



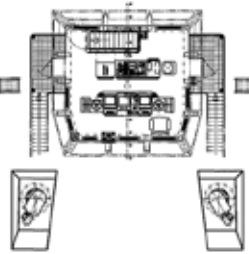
Ansicht von hinten



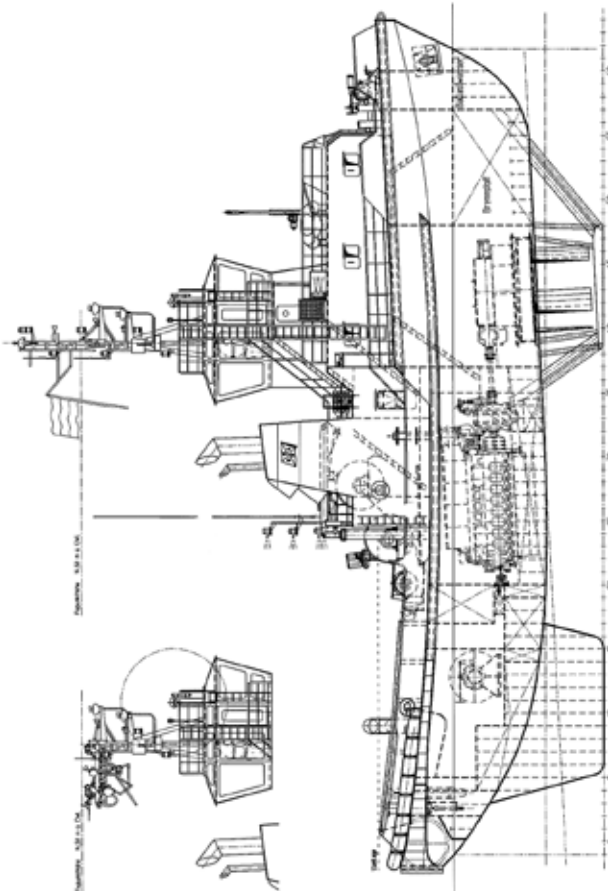
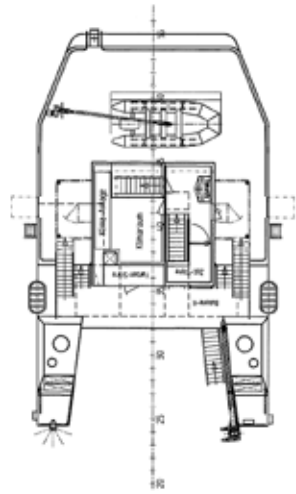
Pelldeck



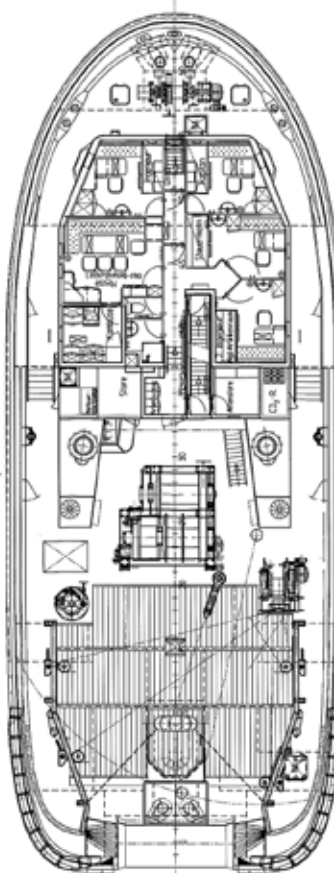
Brückendeck



Bootsdeck



Hauptdeck



unter Hauptdeck

